

EasyLine LED Drivers

- 350 mA / max. 15 W**
- 500 mA / max. 21.5 W**
- 700 mA / max. 30 W / 38.5 W**
- 900 mA / max. 38.7 W**
- 1050 mA / max. 45 W**

Compact casing shape with integrated cord grip
optional for built-in or independent operation.



Electrical characteristics

Secondary side switching of LED modules is not allowed.

Power factor at full load: > 0.9

Connection details

Mains voltage: 220–240 V ±10%

Mains frequency: 50–60 Hz

Push-in terminals: 0.5–2.5 mm²

Safety features

Temporary electronic short-circuit protection

Overload and overtemperature protection

Protection against "no load" operation

Degree of protection: IP20

Protection class II SELV

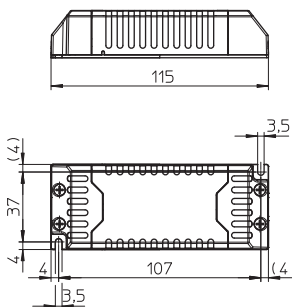
Product guarantee: 3 years

Expected service life time

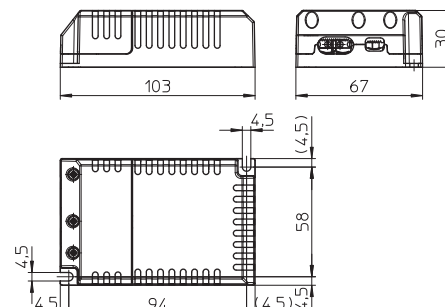
at operation temperatures at t_c point

Operation current	Best.-Nr.			
	186591, 186592	186593, 186594, 186595, 186669		
all	75 °C	65 °C	80 °C	70 °C
hrs.	30,000	50,000	30,000	50,000

K51.1



K26.1



Max. output W	Type	Ref. No.	Mains voltage 50–60 Hz V	Mains current mA	Current output DC mA	Voltage output DC V	Max. voltage without load DC V	Efficiency at full load % (230 V)	Ambient temperature t_a °C	Casing temperature t_c °C	Weight g
K51.1 – Dimensions: 115x45x25 mm											
15	ECXe 350.229	186591	220–240	90–70	350 ±7.5%	30–43	< 60	> 80	–20 to 50	75	82
21.5	ECXe 500.230	186592	220–240	130–100	500 ±7.5%	30–43	< 60	> 80	–20 to 50	75	94
K26.1 – Dimensions: 103x67x30 mm											
30	ECXe 700.231	186593	220–240	160–140	700 ±7.5%	30–43	< 60	> 80	–20 to 50	80	120
38.5	ECXe 700.232	186594	220–240	205–180	700 ±7.5%	40–55	< 60	> 80	–20 to 50	80	140
38.7	ECXe 900.253	186669	220–240	200–185	900 ±7.5%	30–43	< 48	> 80	–20 to 50	80	140
45	ECXe 1050.233	186595	220–240	235–210	1050 ±7.5%	30–43	< 60	> 80	–20 to 50	80	140

The values contained in this data sheet can change due to technical innovations. Any such changes will be made without separate notification.