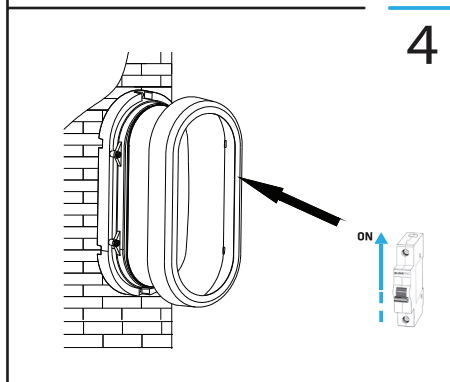
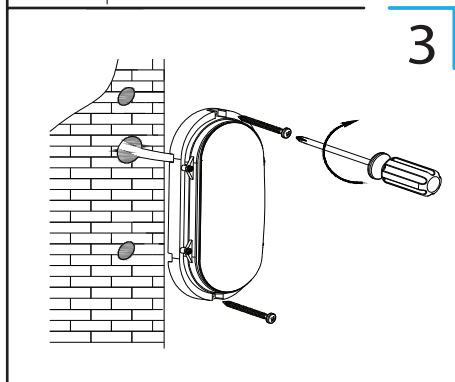
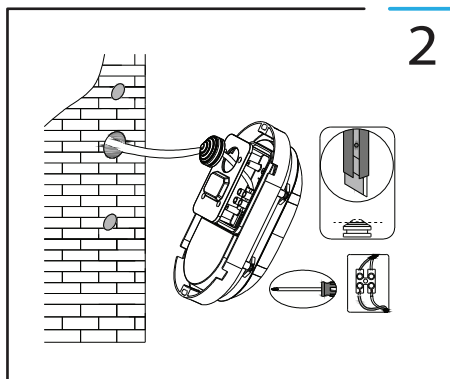
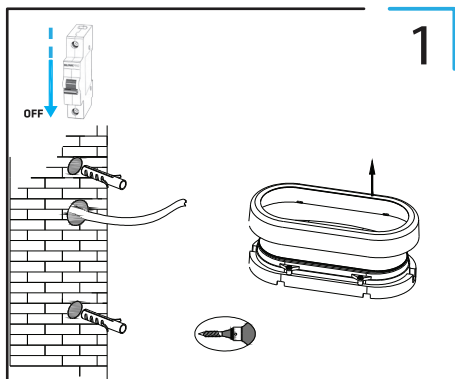


Instructions OVAL LED



- Installation only by persons with electro technical knowledge and experience.
- Use cable which is suitable for outdoor use (if mounted outside).
- Do not use a dimmer to operate this luminaire.
- Ensure the main power source is turned off.
- Drill two holes at the desired height where the LED fixture should hang. Use the two designated points from the fixture as spacing between the holes.
- Connect the luminaire to the mains supply with the terminal block inside the luminaire.
- Turn the swivel to the suitable position. Use the round rubber rings around the screws from the inside of the luminaire to make it waterproof.
- Activate the power source.

